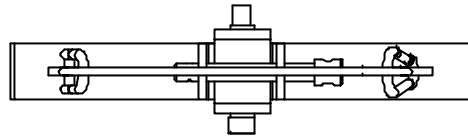


CH5 Column Hanger used to attach top Resolution enclosures in cluster to grid spoke.

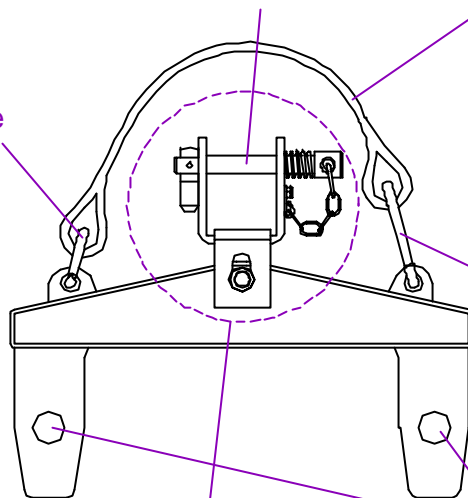


Sprung swordpin passes through hole in grid spoke. (must be fully latched)

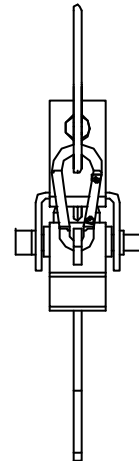
Safety steel passes over spoke and is easily secured with the snap hook.

Antiluce pins (must be fully latched)

Fixed Shackle



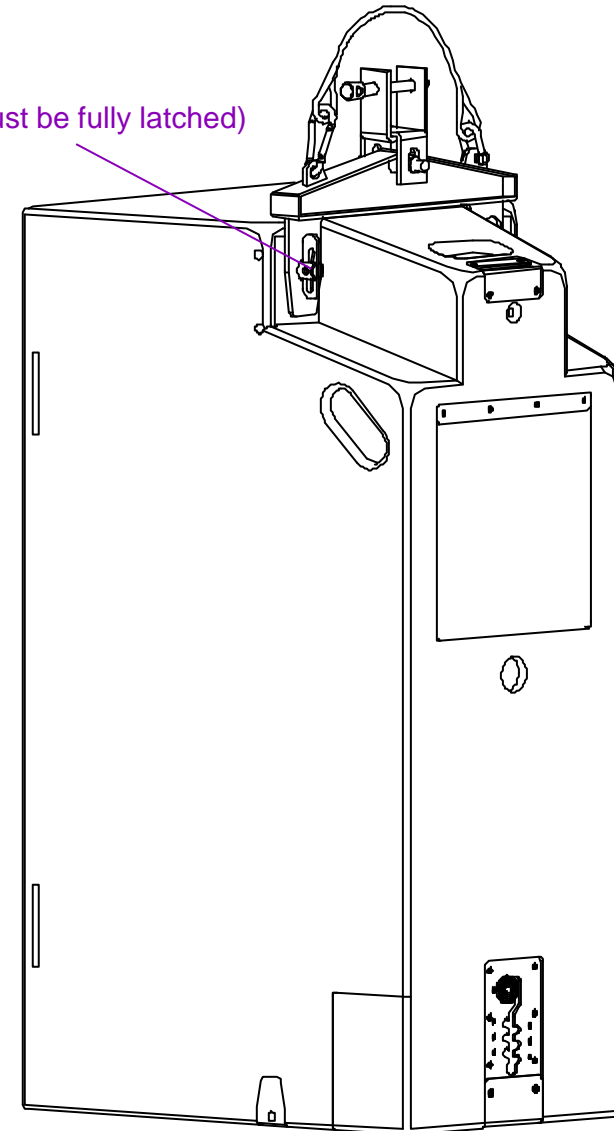
Snap Hook



Holes for enclosure attachment via antiluce pins

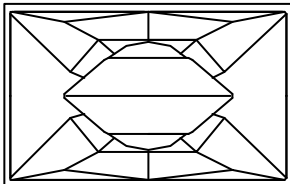
Universal Joint fixes correct column orientation, whilst allowing column to swing for and aft and side to side, preventing excess stresses on the flying system.

Slot provides vertical tolerance for easy enclosure attachment.



All dimensions in mm and inches

Copyright Funktion-One Research Ltd



FUNKTION-ONE

Hoyle, Horsham Road, Beare Green, Dorking, Surrey, RH5 4PS, England

Phone: +44 (0)1306 712820

Fax: +44 (0)1306 711240



mail@funktion-one.com

www.funktion-one.com

Accessories for: Resolution 4, 5, 18

CH5 - Column Hanger (Includes sword pin and safety steel rope)